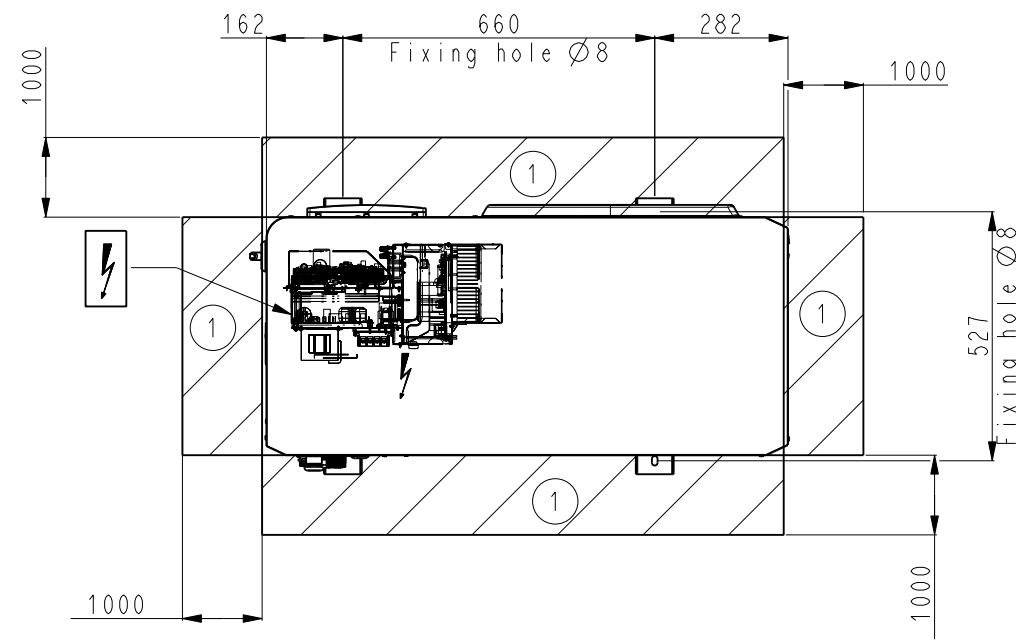
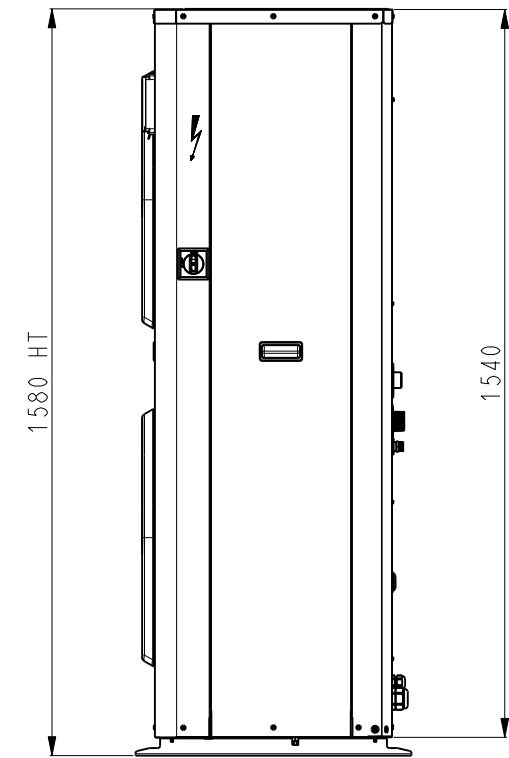
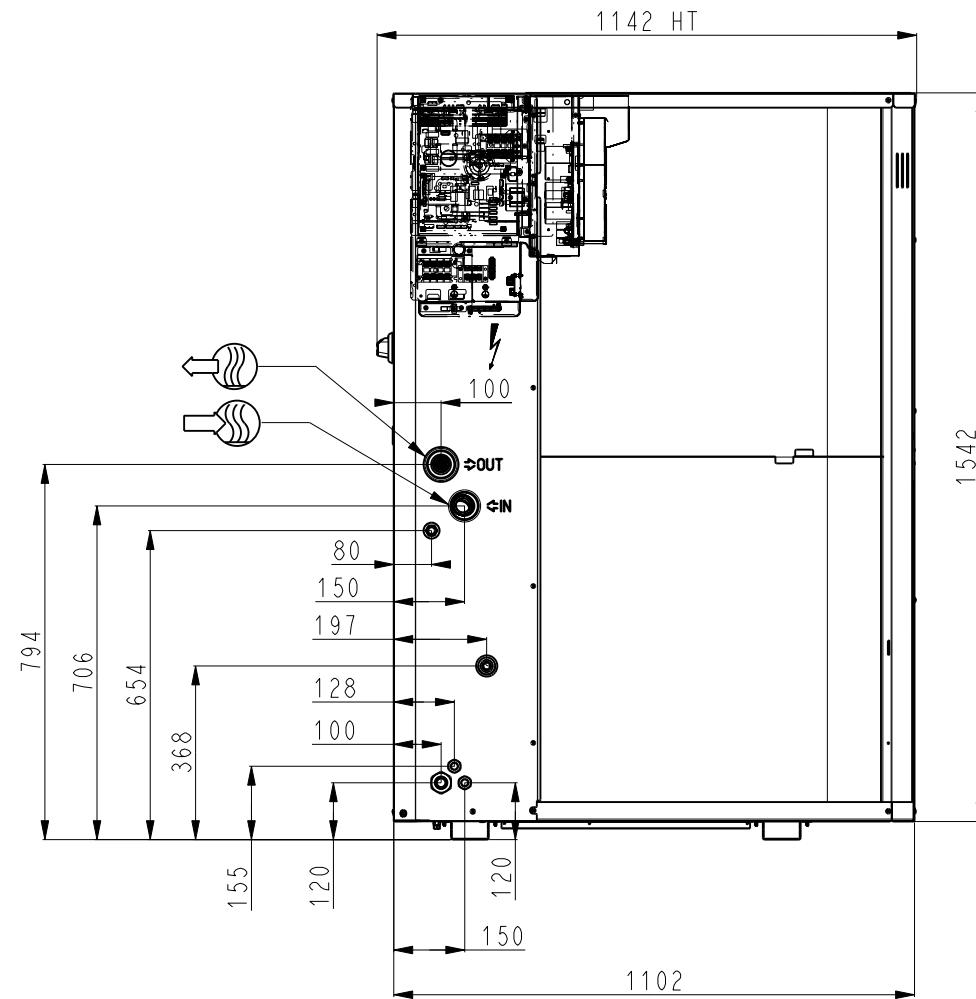
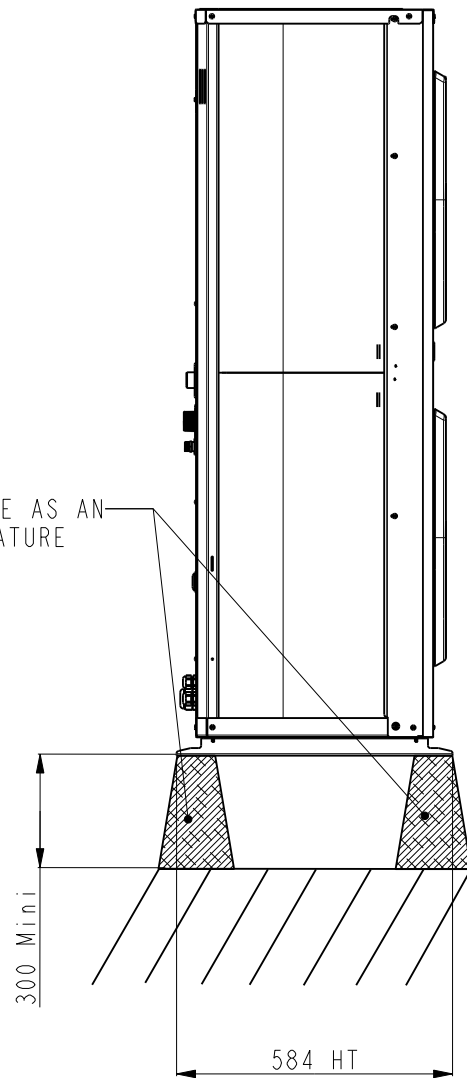
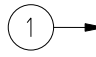
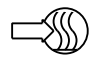




TO BE SET UP IF OPERATE AS AN HEAT PUMP IN TEMPERATURE BELOW 0°C



TOLERANCE ± 10	SIMPL DIMENS DRAWING PLAN DIM SIMPL	DATE 22-Mar-2017	Feuille Sheet 1/2
		00DCG000257600	Indice A

	ENGLISH	FRANCAIS	GERMAIN	ESPAGNOL	ITALIANO
	Services clearances required	Espace nécessaire à la maintenance	Freiraum für wartung	Espacio necesario para servicio y mantenimiento	Spazio necessario per il servizio
	Inlet water	Entrée eau	Wasser eintritt	Entrada agua	Entrata acqua
	Outlet water	Sortie eau	Wasser austritt	Salida agua	Uscita acqua
	Electrical supply entry	Entrée raccordement électrique	Strom anschlüsse	Entrada cables electricos	Entrata cavi alimentazione

TOLERANCE	SIMPL DIMENS DRAWING	DATE	Feuille
±10	PLAN DIM SIMPL	22-Mar-2017	Sheet
			2/2
		00DCG000257600	Indice
			A